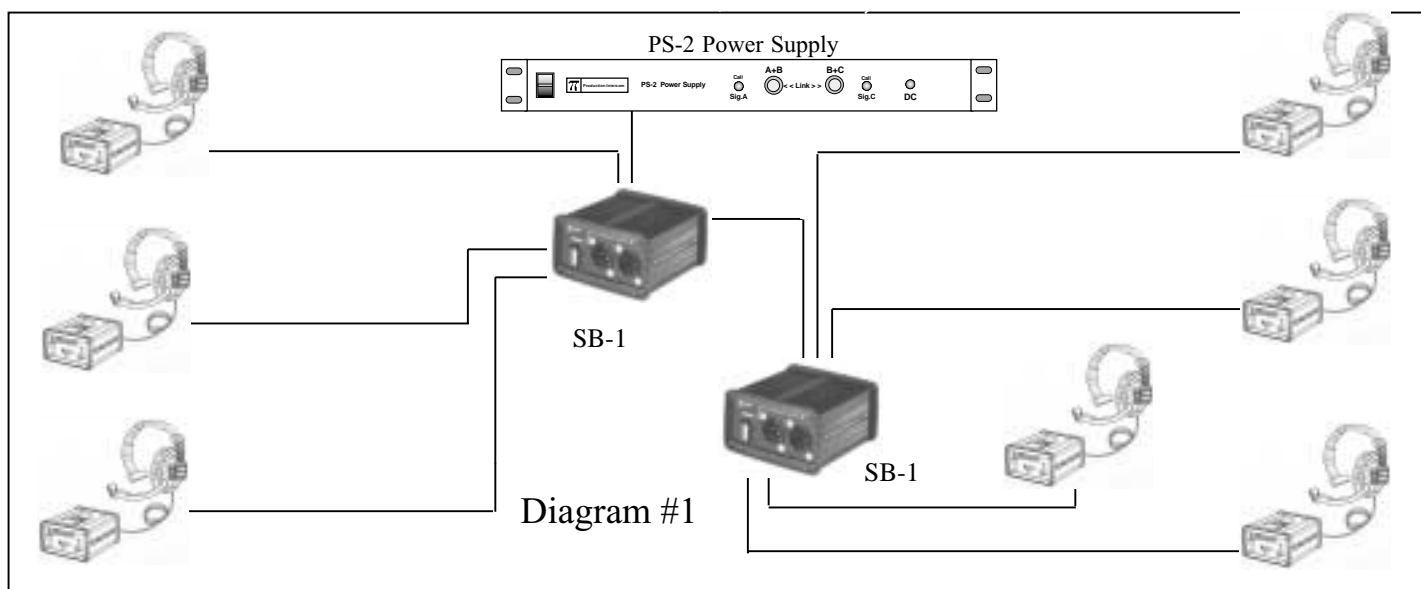




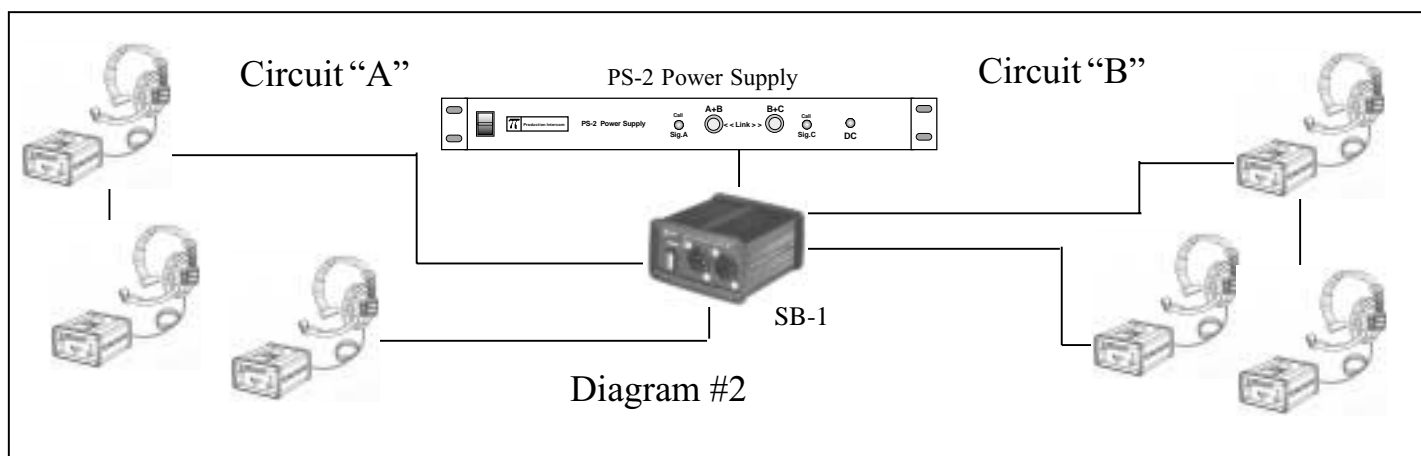
SB-1 Splitter/Isolator

Operating Instructions

While ‘daisy-chaining’ belt packs is possible, using the loop-in/loop-out connectors on the back, the resulting two cables connected to each belt pack adds weight and creates inconvenience. The SB-1 Splitter/Isolator provides a convenient and reliable means of splitting a single circuit run into as many as four spurs as shown in diagram #1 below. In this diagram, all seven ‘belt packs’ are in constant communication, with none having more than one cable connected to it.



The SB-1 may also be used to create a new and completely independent communications circuit without requiring a second power supply, as shown in diagram #2 below. Termination circuitry for the new circuit is provided by the SB-1, when the ‘Isolate’ button is pressed **In** (with the green indicator showing). The two groups of ‘belt packs’ are completely independent communications circuits.



Production Intercom Inc.

P.O. Box 3247, Barrington, IL 60011-3247

Voice: (847) 381-5350 Fax: (847) 381- 4360 Sales & Technical Assistance (US & Can): (800) 562-5872

e-mail: support@beltpack.com Web: beltpack.com