

Wherever there's a show...

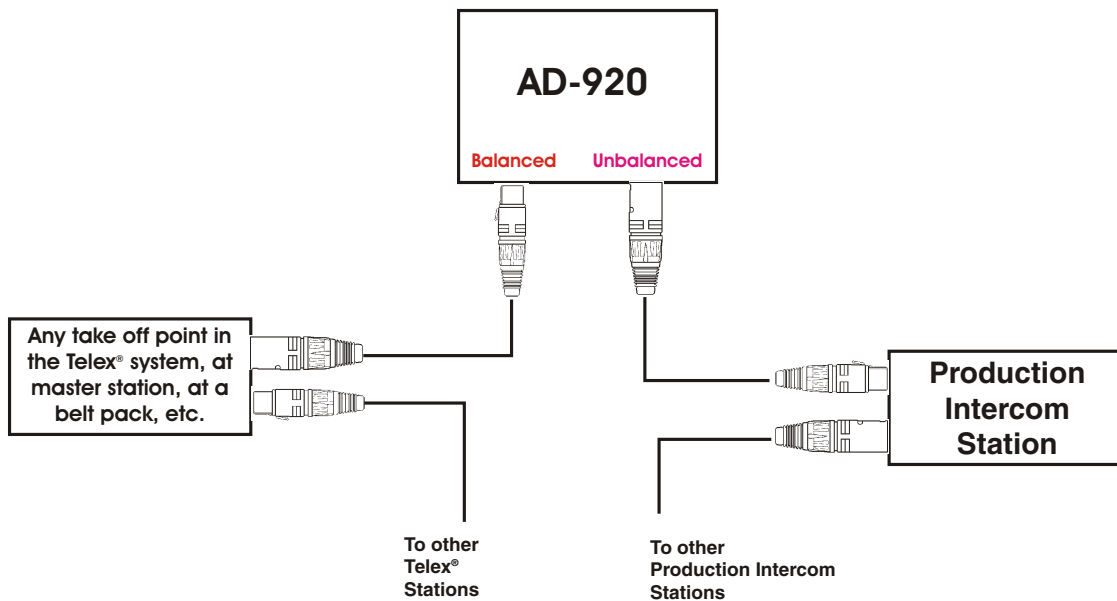


AD920
Balanced/Unbalanced
Interface

Operating Instructions

There are no user accessible switches or controls on the AD920. Connect as shown below.

You may have either or both of the intercom system power supplies (or Main/Master Stations) operational. If both are to be used, it is advisable to disconnect the termination circuit in one.



Production Intercom Inc.

P.O. Box 3247, Barrington, IL 60011-3247
Voice: (847) 381-5350 Fax: (847) 381- 4360 Sales & Technical Assistance (US & Can): (800) 562-5872
e-mail: support@beltpack.com Web: beltpack.com